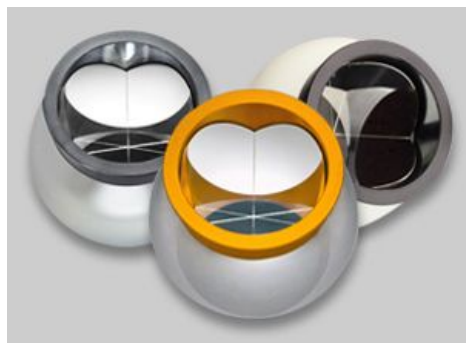


Ball Mounted Hollow Retroreflector - BMR™

PLX Ball Mounted Hollow Retroreflectors (BMRs) for laser tracking are the most accurate in the industry.

They are manufactured in three different diameters: 1 1/2", 7/8" and 1/2". All sizes are available in 2 centering accuracies: 0.0005" and 0.0001". PLX BMRs are compatible with all manufacturers laser tracking systems. Should the optical elements of your BMR ever become damaged, PLX can replace them with units of comparable accuracy and alignment to the original at a modest cost.



Specifications

Substrate	Pyrex/Aluminum
Housing material	Steel/Ceramic
Surface Quality	80-50 Scratch-Dig
Coating	Protected Silver
Wavelength (nm)	450 - 10000
Reflectance	96%
Centering (in)	Within 0.0001 or 0.0005

BMR vs. DBMR vs. BMRNM

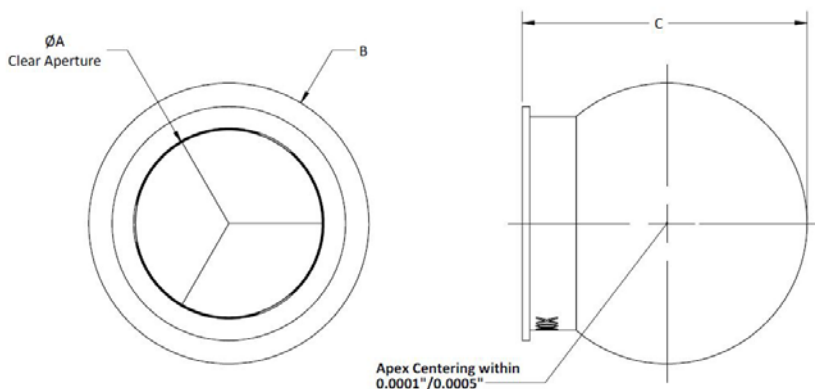
PLX stainless steel Ball Mounted Hollow Retroreflectors™ (BMRs) can significantly improve the performance of all laser-tracking systems.

PLX all metal, Durable Ball Mounted Retroreflectors (DBMRs) offer increased durability and are designed to work in demanding environment. They have been successfully drop-tested on a concrete floor from a height of 6 feet.

PLX Ceramic Ball Mounted Hollow Retroreflectors™ (BMRNMs) are designed for applications requiring non-magnetic components. They are lighter, smoother, corrosion and electrically resistant, with low thermal conductivity.

All PLX Ball Mounted Retroreflectors are equipped with our standard protected silver coating for the highest durability, reflectance and distance.

Outline Drawings



Item	ØA (in/mm)	B (in/mm)	C (in/mm)
BMR-1.5 DBMR-1.5 BMRNM-1.5	1.00/25.40	1.50/38.10	1.52/38.74
BMR-0.875 BMRNM-0.875	0.50/12.70	0.88/22.23	0.84/21.34
BMR-0.5 BMRNM-0.5	0.31/7.87	0.50/12.70	0.49/12.45

Important Notice

This datasheet contains typical information specific to products manufactured at the time of its publication. All rights reserved. All material herein is the property of PLX Inc. and shall not be reproduced without the written permission of PLX Inc.

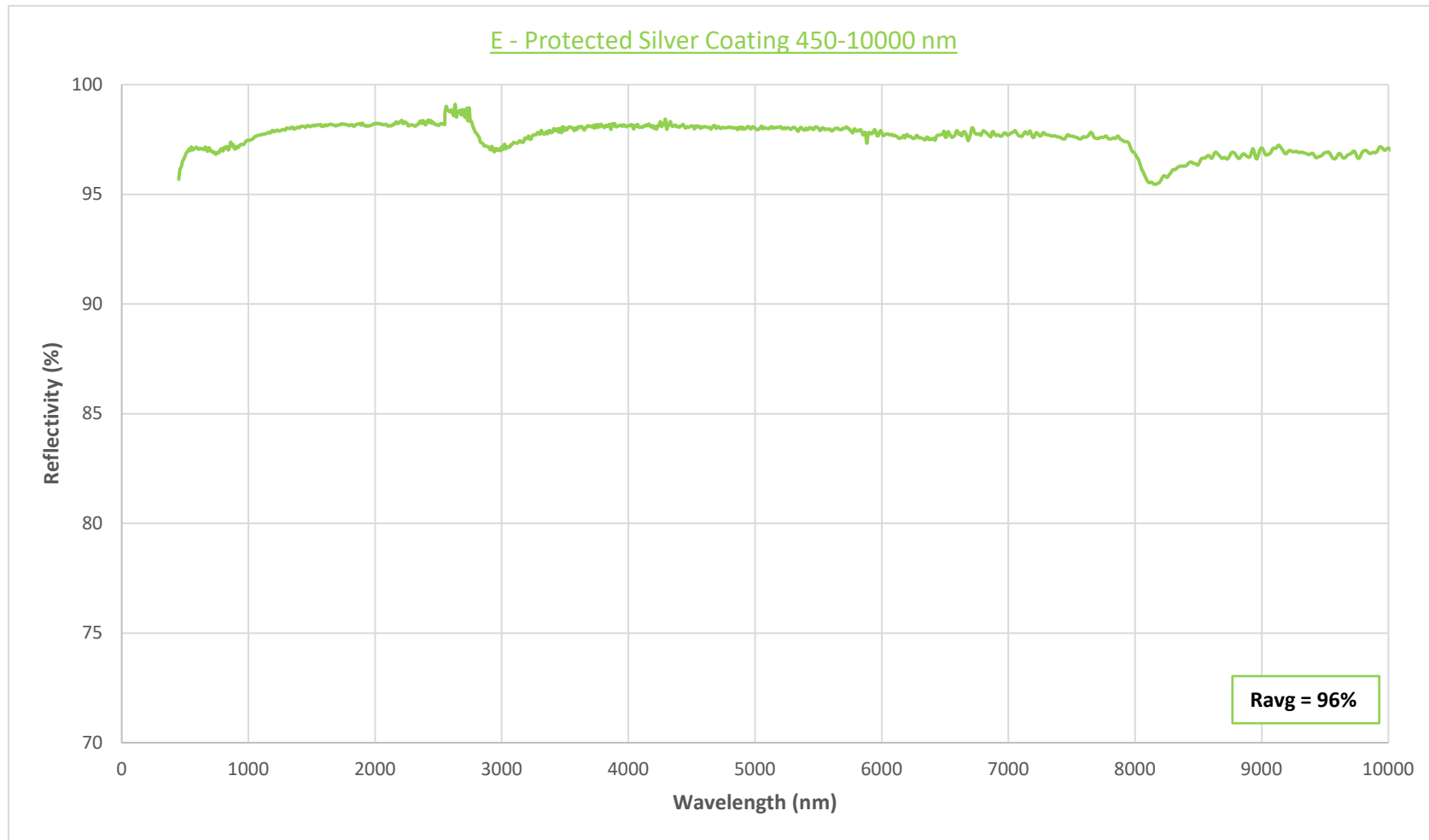
Product Datasheet

Ball Mounted Hollow Retroreflector - BMR™



Coating Curve

AOI 55°



Coatings meet Ravg requirement, but coating curves are for reference as $R(\lambda)$ may vary $\pm 2\%$ per lot.