

GFL

1550nm Pulsed Fiber Laser

Application

- ▶ Light source for LIDAR
- ▶ 3D-scanning

Features

- ▶ Low power consumption
- ▶ Compact package (80x80x20 mm)
- ▶ Eye-safe Wavelength



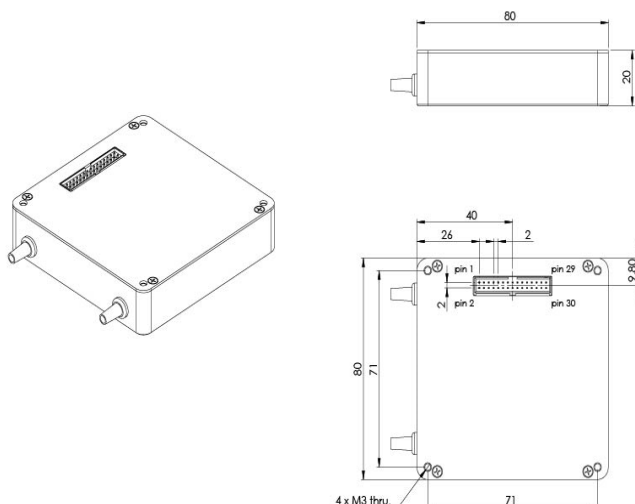
Parameter

Generic Parameters

Center Wavelength	[nm]	1540 ... 1560
Laser Peak power	[kW]	up to 25
Laser Output Power, average	[W]	up to 4
Pulse Width	[ns]	0.4 ... 100
Pulse Energy	[μJ]	up to 300
Repetition rate	[kHz]	10 ... MHz
Pulse Timing		External trigger, TTL / LVDS
Output Beam Quality		Single-mode, LMA
Output Termination		Collimator, FC/APC, ...
Mechanical Dimensions	[mm]	80x80x20 or 110x110x20
Power Supply Voltage	[VDC]	+5 / +12
Polarization		Random or Linear
Operating Case Temperature	[°C]	-10...+ 65
Communication Interface		RS-232

Mechanical Dimensions

Ordering Information



Custom variants are available upon request, please contact our customer service to discuss your specification requirements

Evaluation boards available upon request



Specifications are subject to change without notice 1